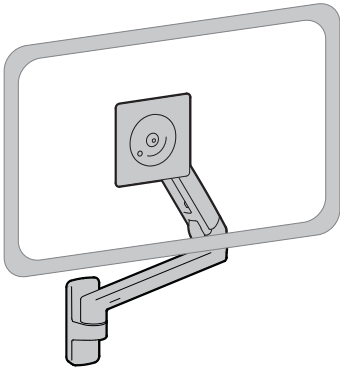
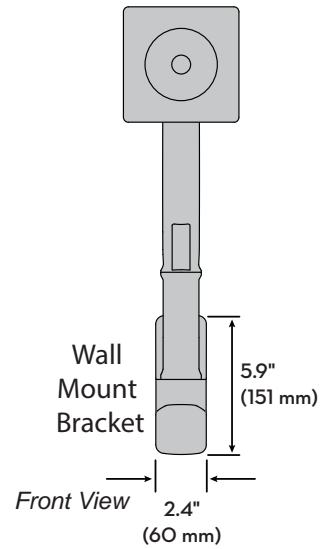
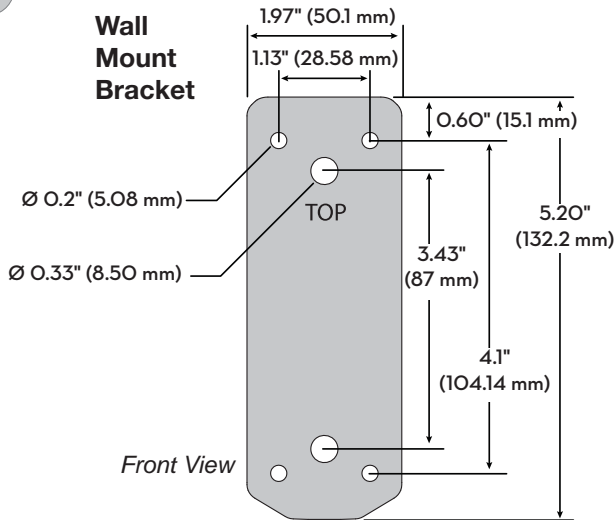


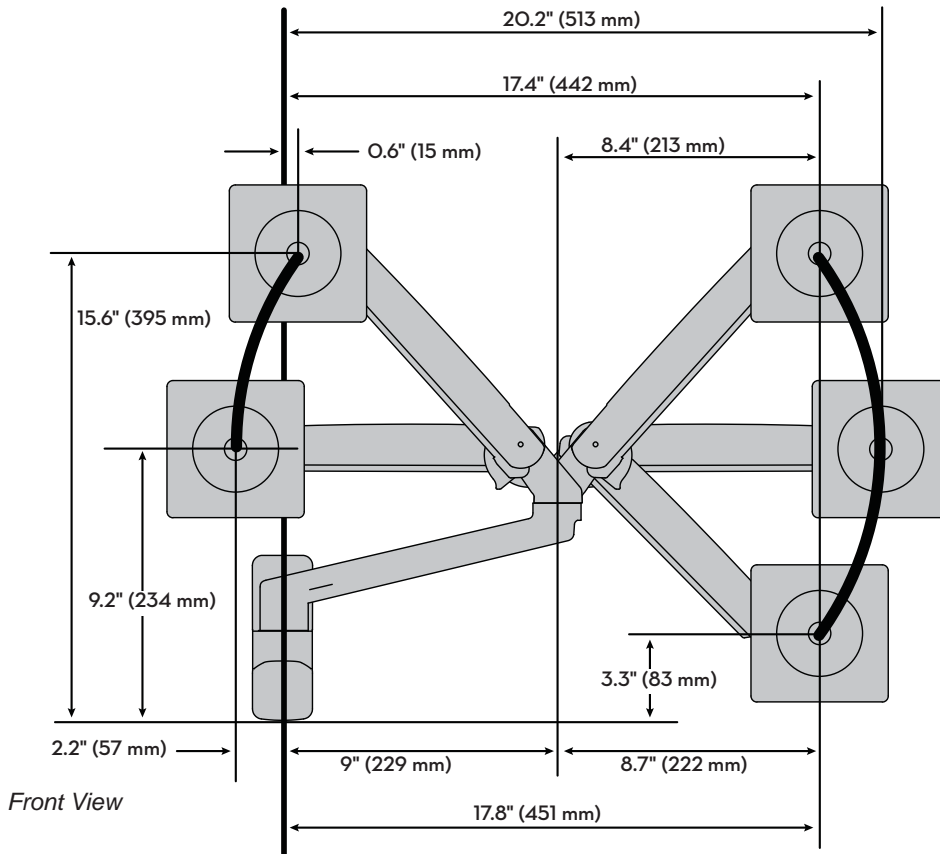
MXV Wall Mount Monitor Arm



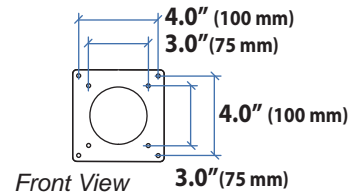
Dimensions



Front view with arm pushed back against the wall.



Monitor Interface Bracket



Americas Sales and Corporate Headquarters

St. Paul, MN USA
 (800) 888-8458
 +1-651-681-7600
 www.ergotron.com
 sales@ergotron.com

EMEA Sales

Amersfoort, The Netherlands
 +31 33 45 45 600
 www.ergotron.com
 info.eu@ergotron.com

APAC Sales

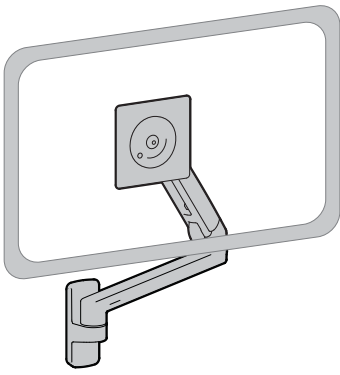
Tokyo, Japan
 www.ergotron.com
 apaccustomerservice@ergotron.com

Worldwide OEM Sales

www.ergotron.com
 info.oem@ergotron.com



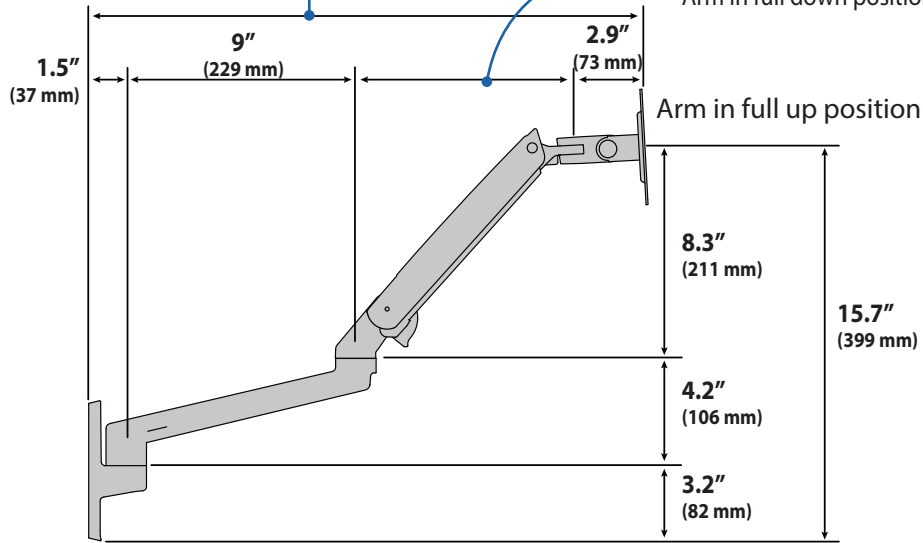
MXV Wall Mount Monitor Arm



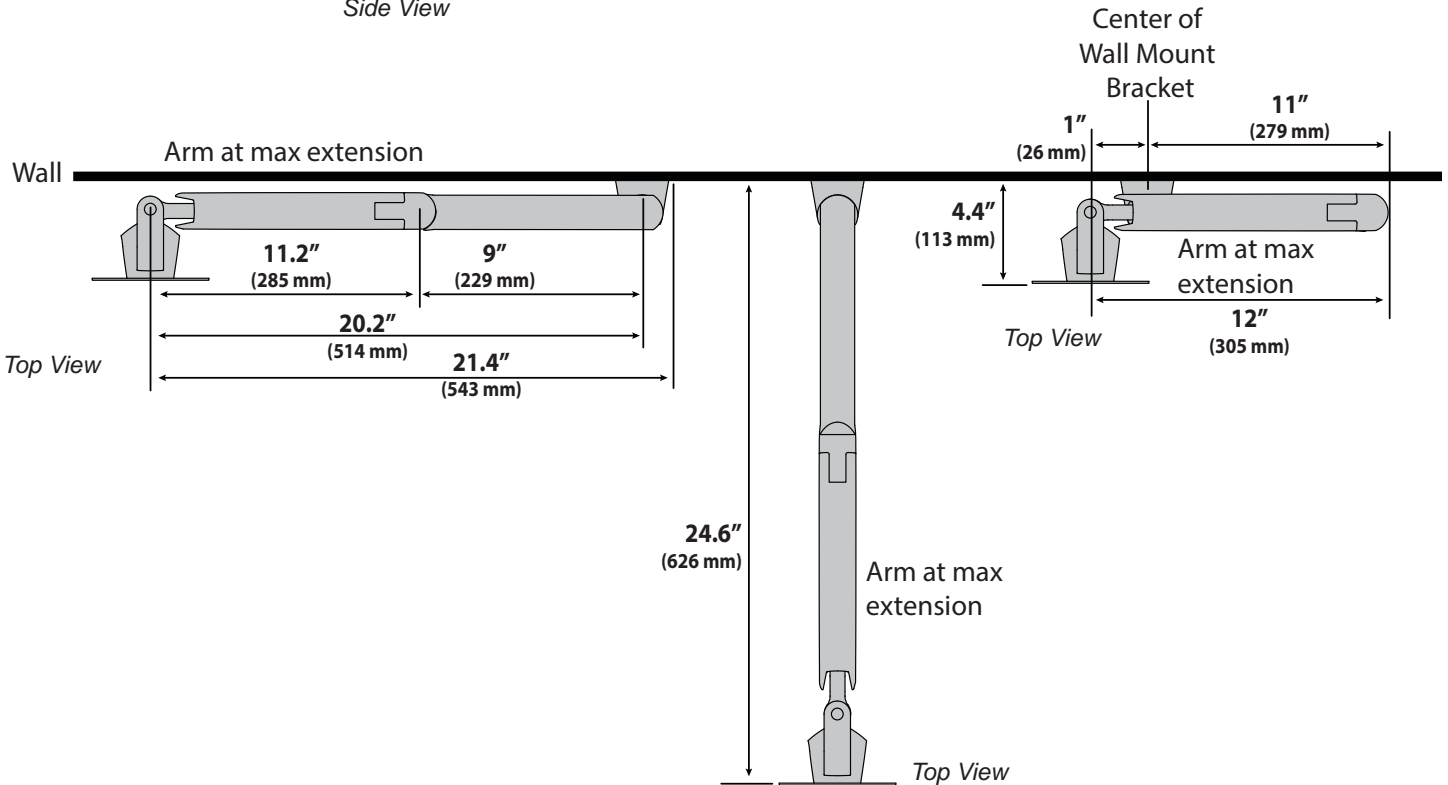
Dimensions

Arm in full up position: **21.7"** (552 mm)
 Arm at max extension: **24.6"** (626 mm)
 Arm in full down position: **22.1"** (561 mm)

Arm in full up position: **8.4"** (214 mm)
 Arm at max extension: **11.2"** (285 mm)
 Arm in full down position: **8.8"** (223 mm)



Side View



© 2017 Ergotron, Inc. rev. 08/30/2017 DIM-MXVwall Content is subject to change without notification

Americas Sales and Corporate Headquarters

St. Paul, MN USA
 (800) 888-8458
 +1-651-681-7600
 www.ergotron.com
 sales@ergotron.com

EMEA Sales

Amersfoort, The Netherlands
 +31 33 45 45 600
 www.ergotron.com
 info.eu@ergotron.com

APAC Sales

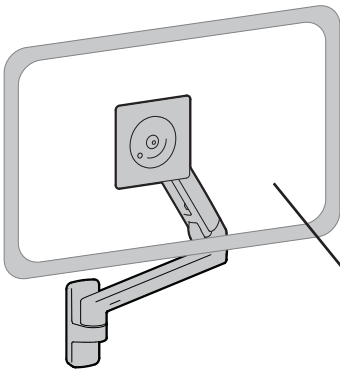
Tokyo, Japan
 www.ergotron.com
 apaccustomerservice@ergotron.com

Worldwide OEM Sales

www.ergotron.com
 info.oem@ergotron.com



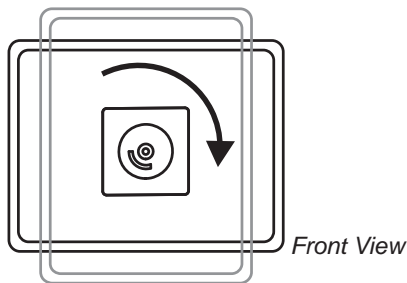
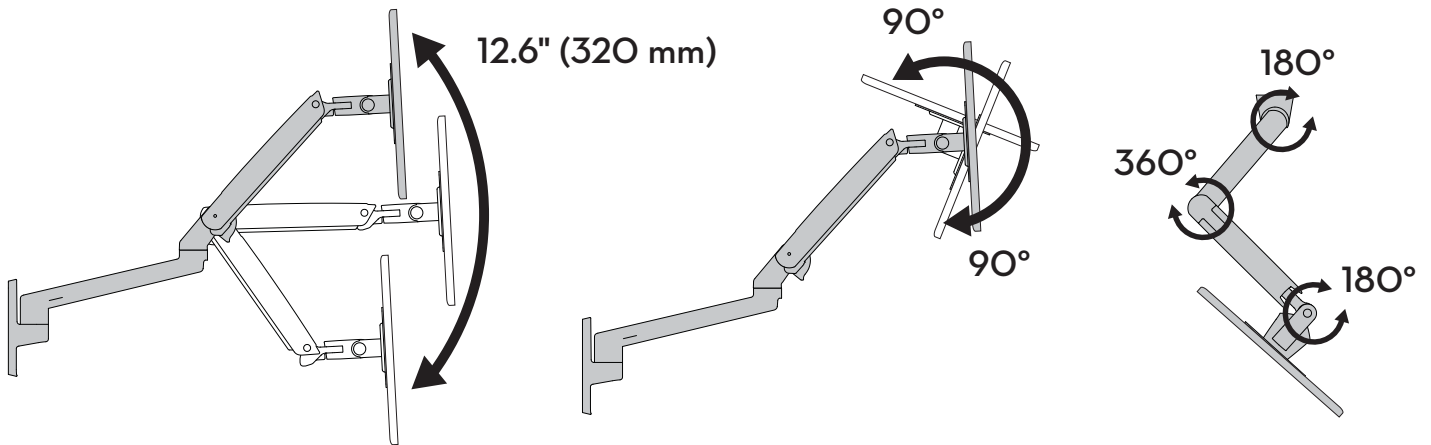
MXV Wall Mount Monitor Arm



Weight Capacity
 7 lbs (3.2 kg) - 20 lbs. (9.1 kg)

Monitor depth greater than 2.5" (64 mm) may diminish capacity.
 Call Ergotron for more information.

Range of Motion



Portrait/Landscape Rotation.

Americas Sales and Corporate Headquarters

St. Paul, MN USA
 (800) 888-8458
 +1-651-681-7600
 www.ergotron.com
 sales@ergotron.com

EMEA Sales

Amersfoort, The Netherlands
 +31 33 45 45 600
 www.ergotron.com
 info.eu@ergotron.com

APAC Sales

Tokyo, Japan
 www.ergotron.com
 apaccustomerservice@ergotron.com

Worldwide OEM Sales

www.ergotron.com
 info.oem@ergotron.com