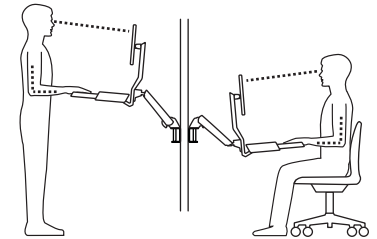
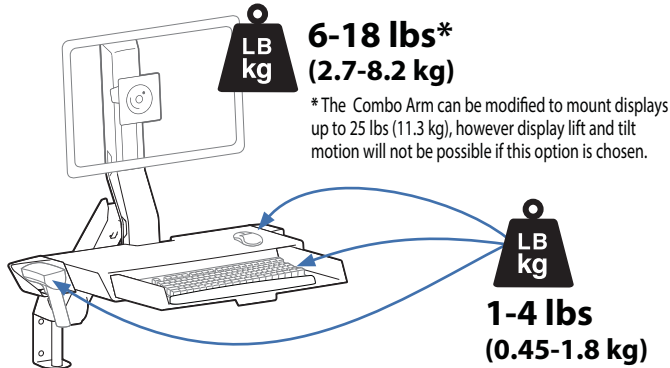
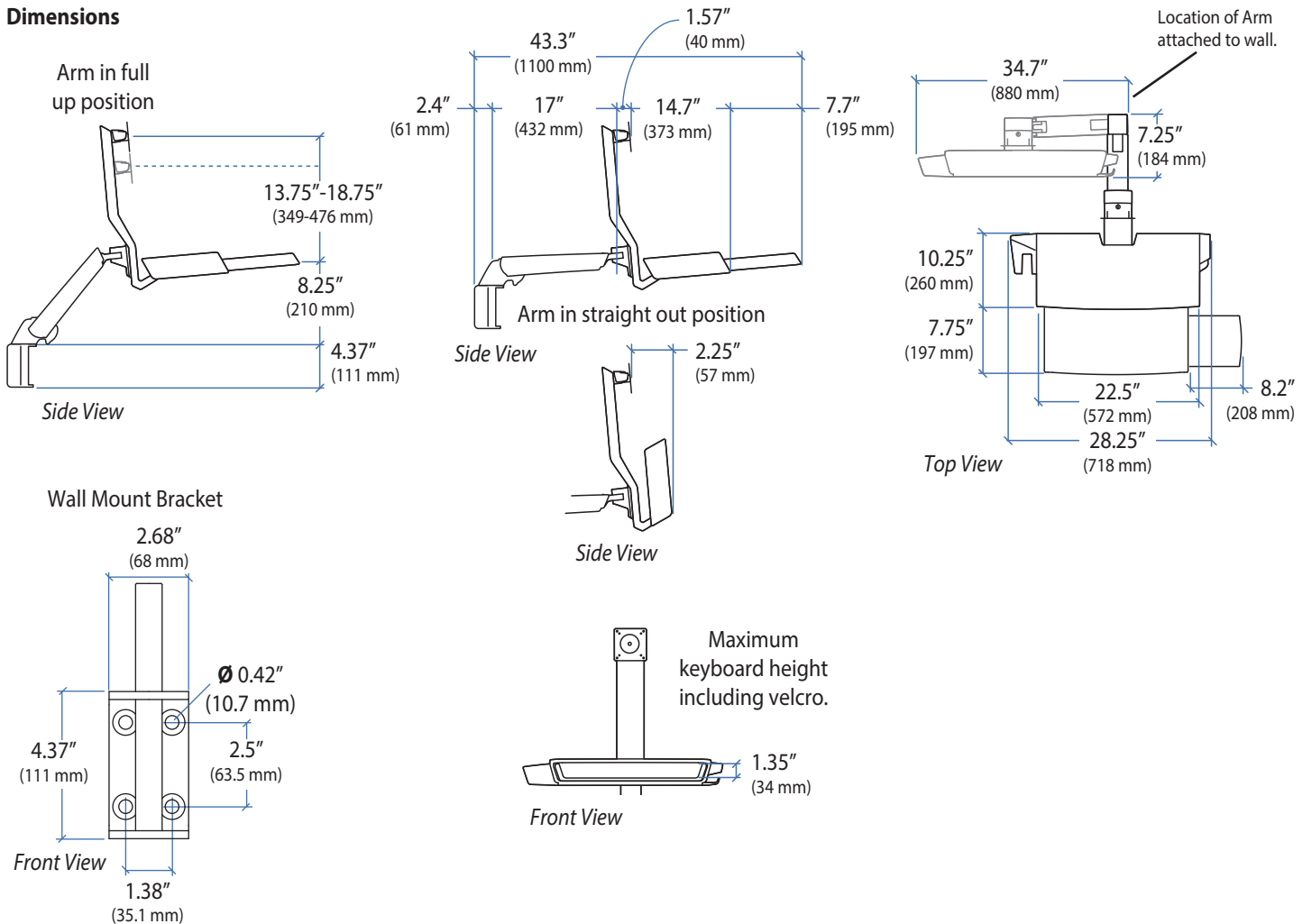


StyleView® Sit Stand Combo Arm with Worksurface

Weight Capacity



Dimensions



© 2014 Ergotron, Inc. rev. 10/31/2017 DIM-ComboWorksurface **Content is subject to change without notification**

Americas Sales and Corporate Headquarters

St. Paul, MN USA
(800) 888-8458
+1-651-681-7600
www.ergotron.com
sales@ergotron.com

EMEA Sales

Amersfoort, The Netherlands
+31 33 45 45 600
www.ergotron.com
info.eu@ergotron.com

APAC Sales

Tokyo, Japan
www.ergotron.com
apaccustomerservice@ergotron.com

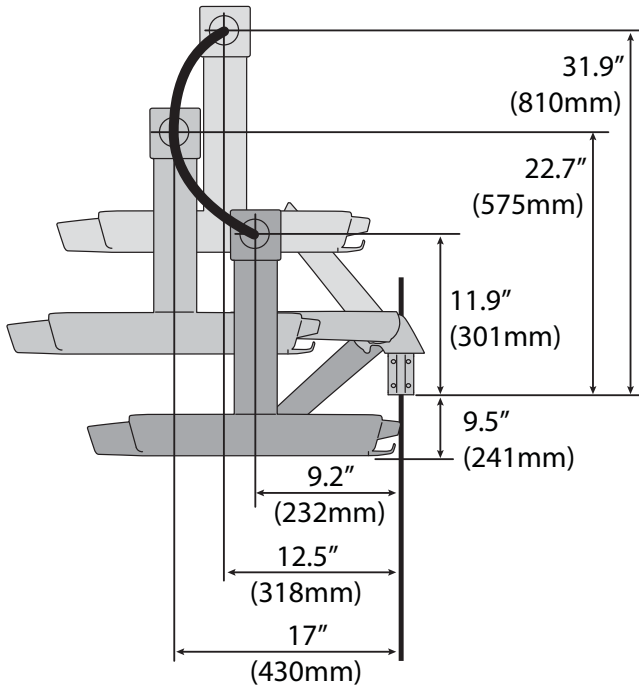
Worldwide OEM Sales

www.ergotron.com
info.oem@ergotron.com

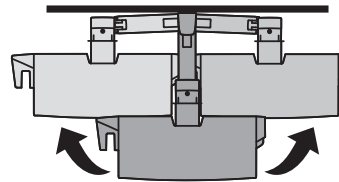
StyleView® Sit Stand Combo Arm with Worksurface

Dimensions

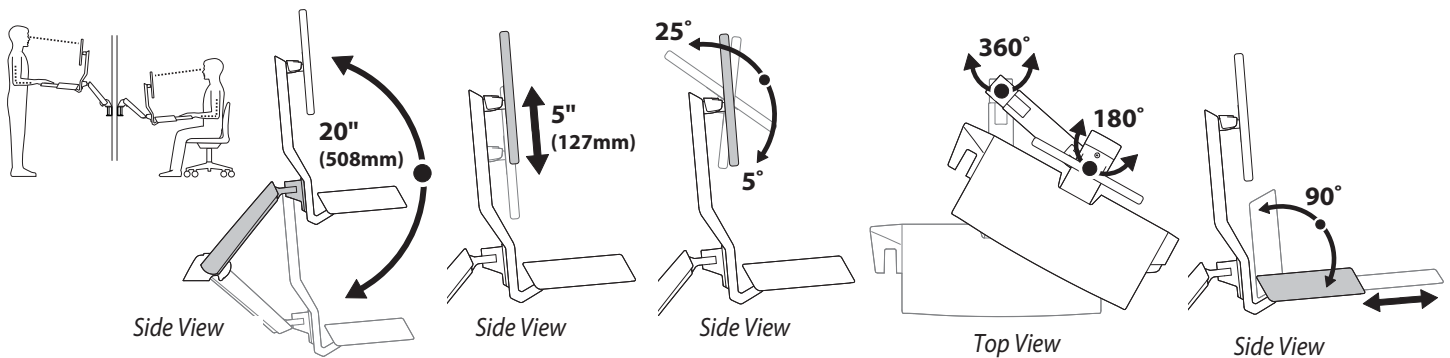
Front view with arm pushed back against the wall.



Top view showing range of motion when pulled out from the wall.



Range of Motion



Portrait/Landscape rotation stop screw can be installed for 0° rotation.



Front View



Front View

© 2014 Ergotron, Inc. rev. 10/31/2017 DIM-ComboWorksurface **Content is subject to change without notification**

Americas Sales and Corporate Headquarters

St. Paul, MN USA
(800) 888-8458
+1-651-681-7600
www.ergotron.com
sales@ergotron.com

EMEA Sales

Amersfoort, The Netherlands
+31 33 45 45 600
www.ergotron.com
info.eu@ergotron.com

APAC Sales

Tokyo, Japan
www.ergotron.com
apaccustomerservice@ergotron.com

Worldwide OEM Sales

www.ergotron.com
info.oem@ergotron.com